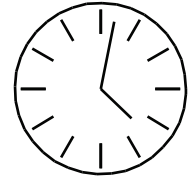
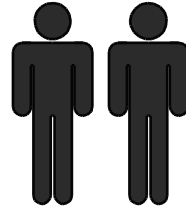
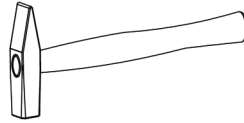
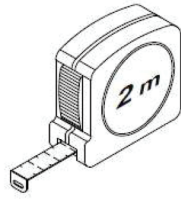
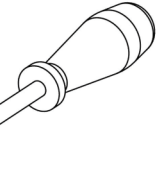
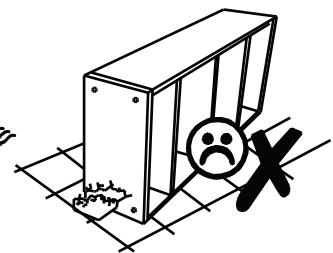
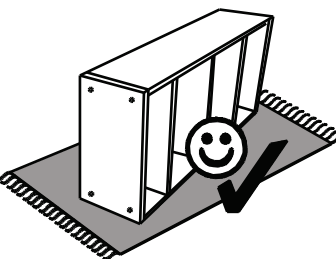
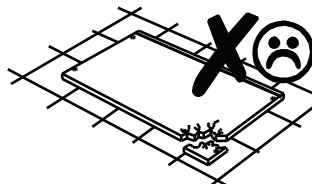
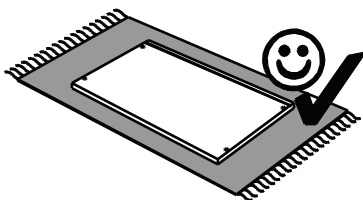
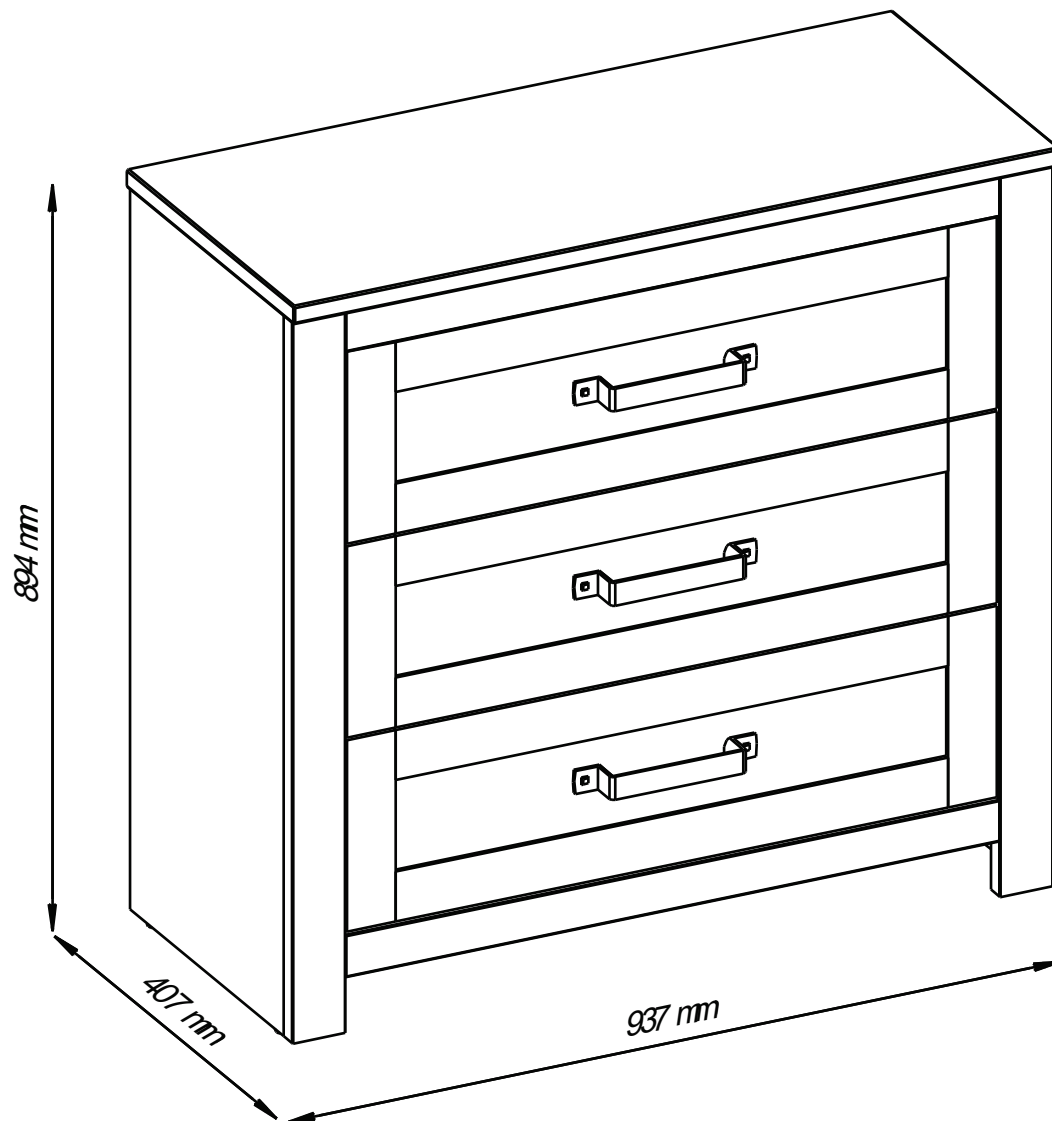
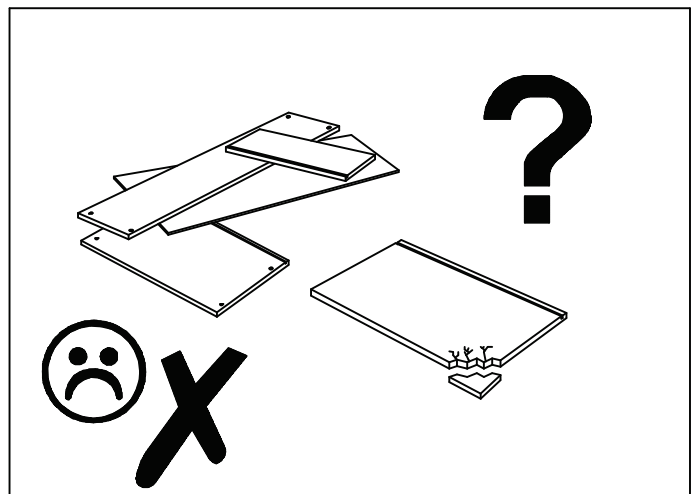
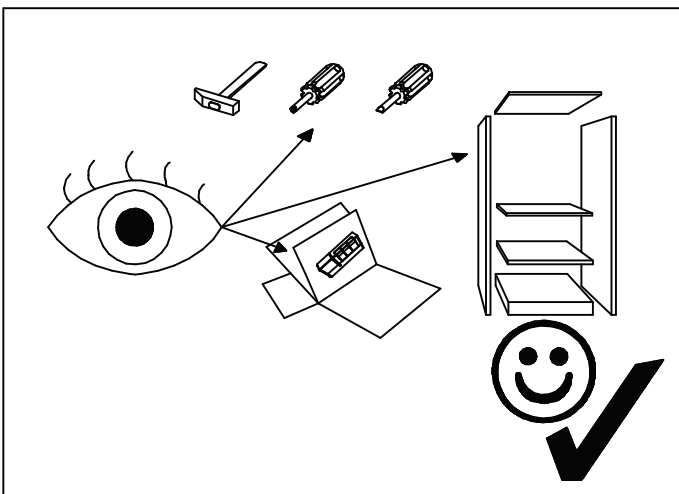
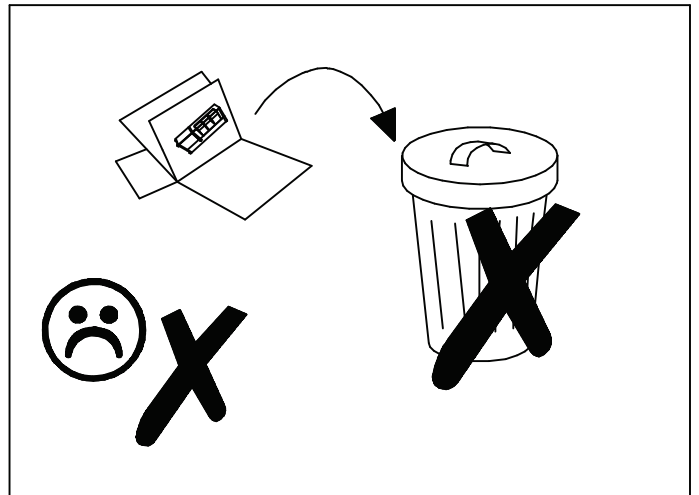
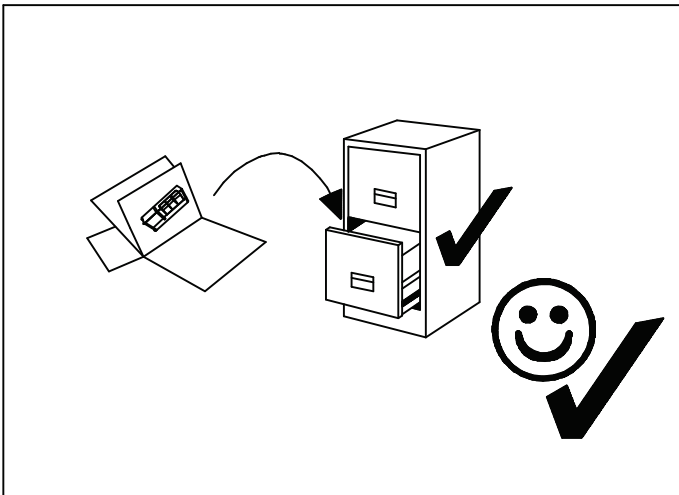
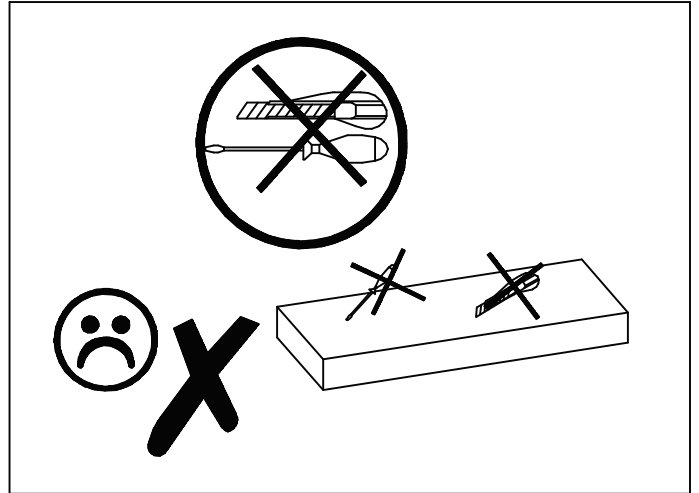
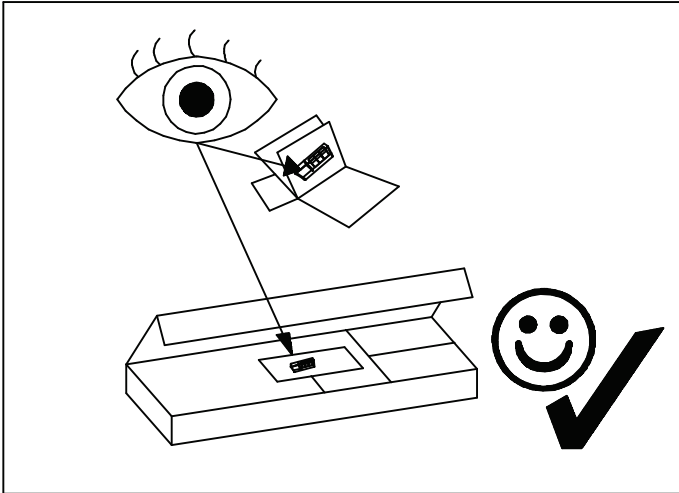


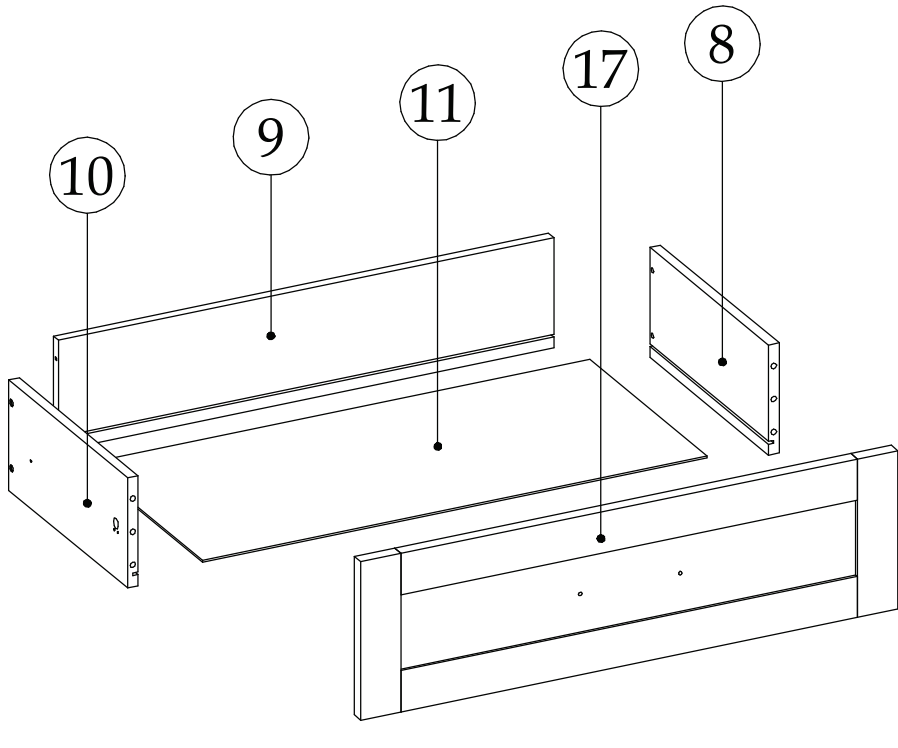
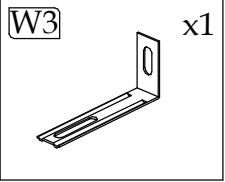
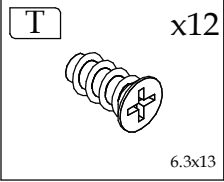
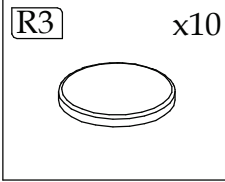
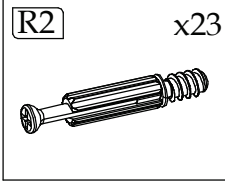
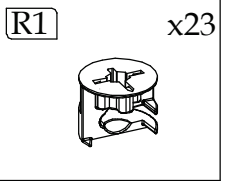
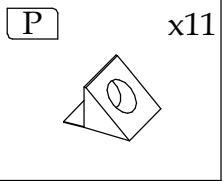
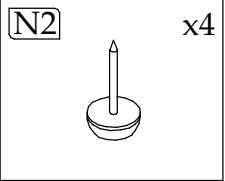
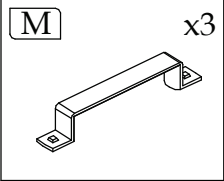
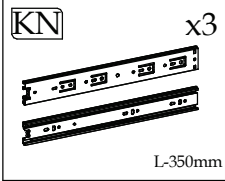
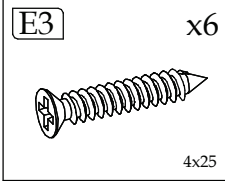
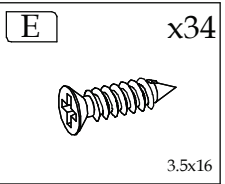
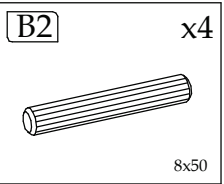
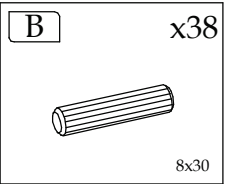
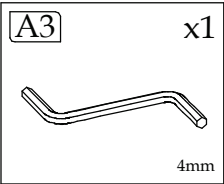
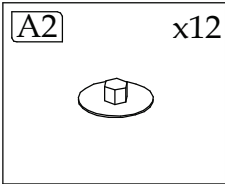
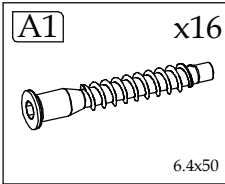
TEOLO 1



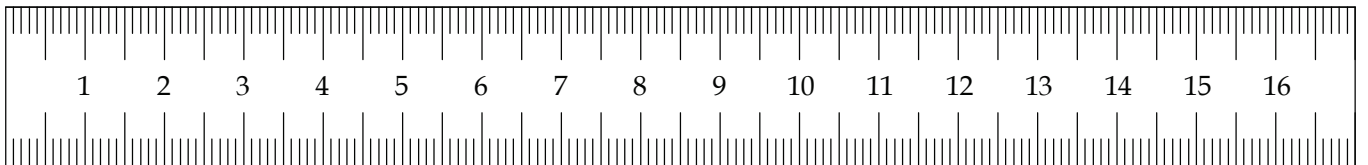
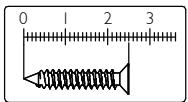
80 min





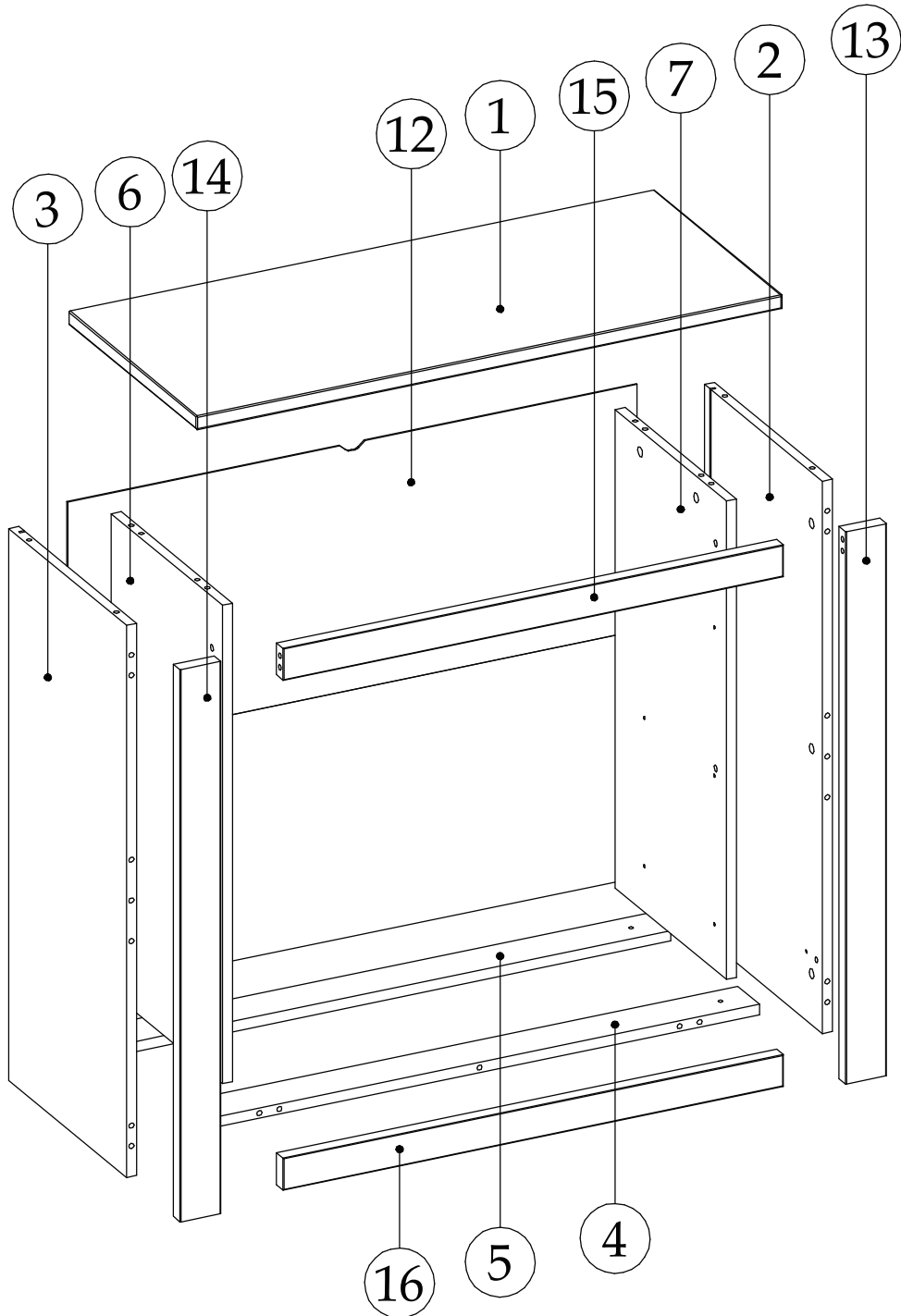


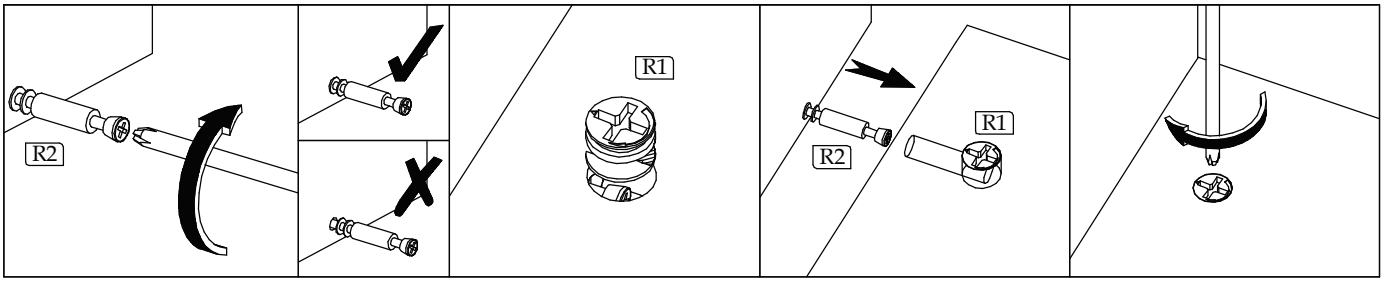
x3



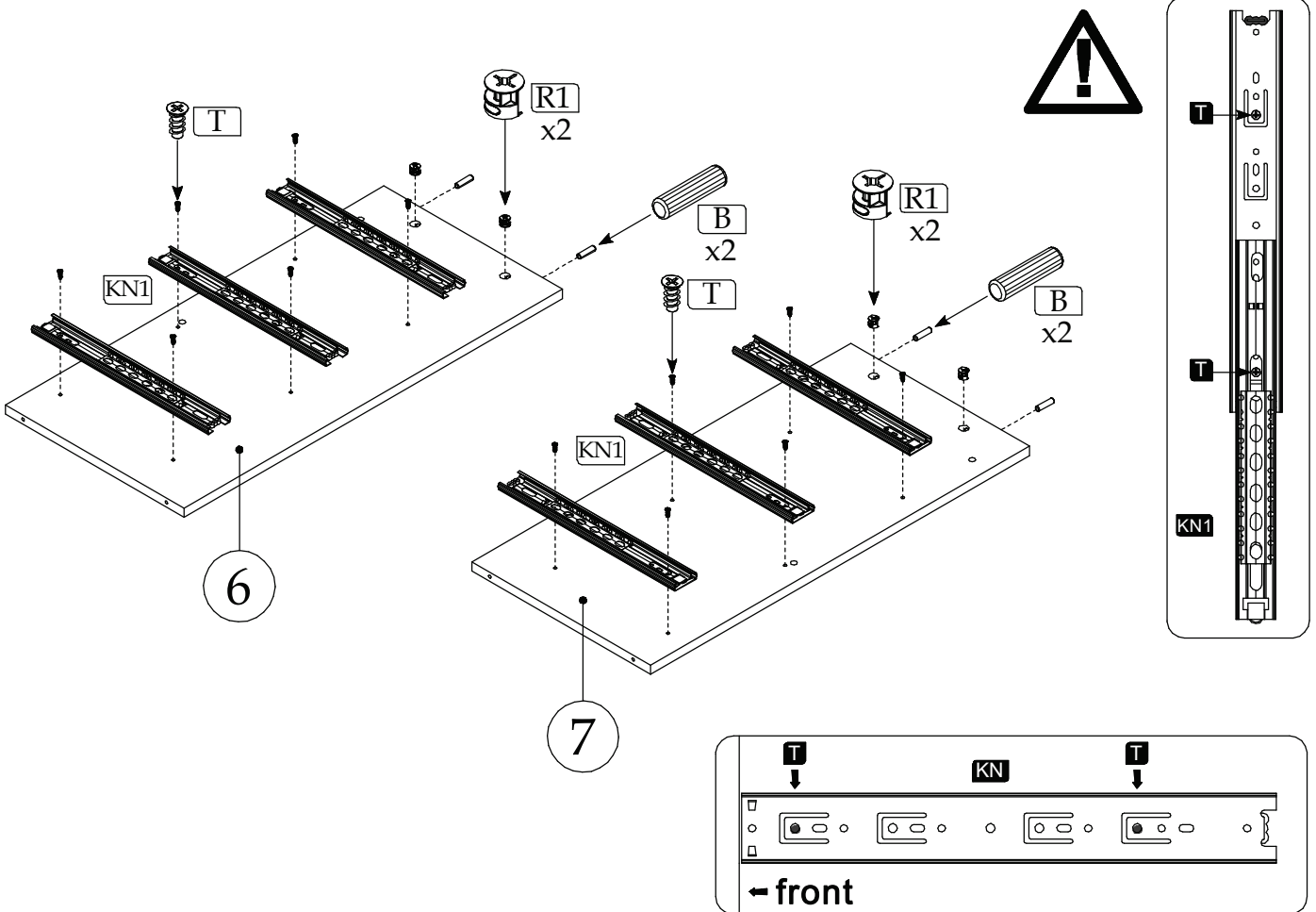
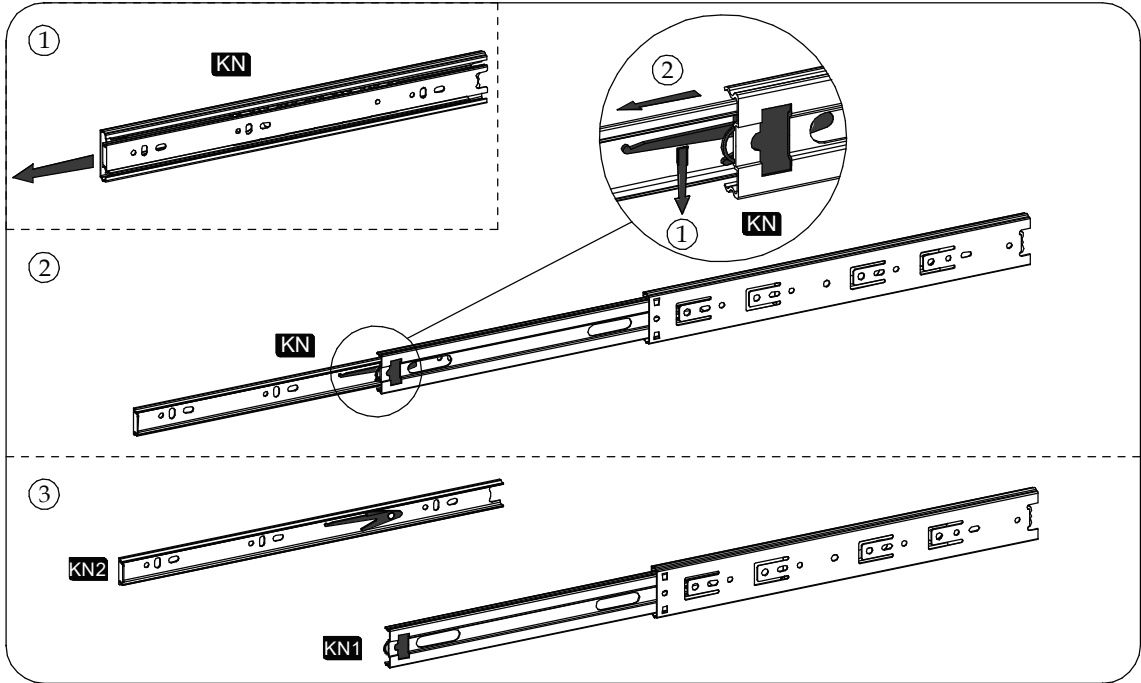
Element symbol	Measurements				Code	Paket
1	937	407	22	1	1002	1/2
2	867	375	16	1	1003	1/2
3	867	375	16	1	1004	1/2
4	897	70	16	1	1005	1/2
5	897	70	16	1	1025	1/2
6	751	354.5	16	1	1046	1/2
7	751	354.5	16	1	1047	1/2
8	350	160	16	3	1029	1/2

9	732.5	160	16	3	1030	1/2
10	350	160	16	3	1031	1/2
11	746.5	346	3	3	N/A	1/2
12	911	774	3	1	1006	1/2
13	867	65	22	1	3001	1/2
14	867	65	22	1	3002	1/2
15	800	50	22	1	3003	1/2
16	800	50	22	1	3004	1/2
17	795	230	19	3	3005	2/2

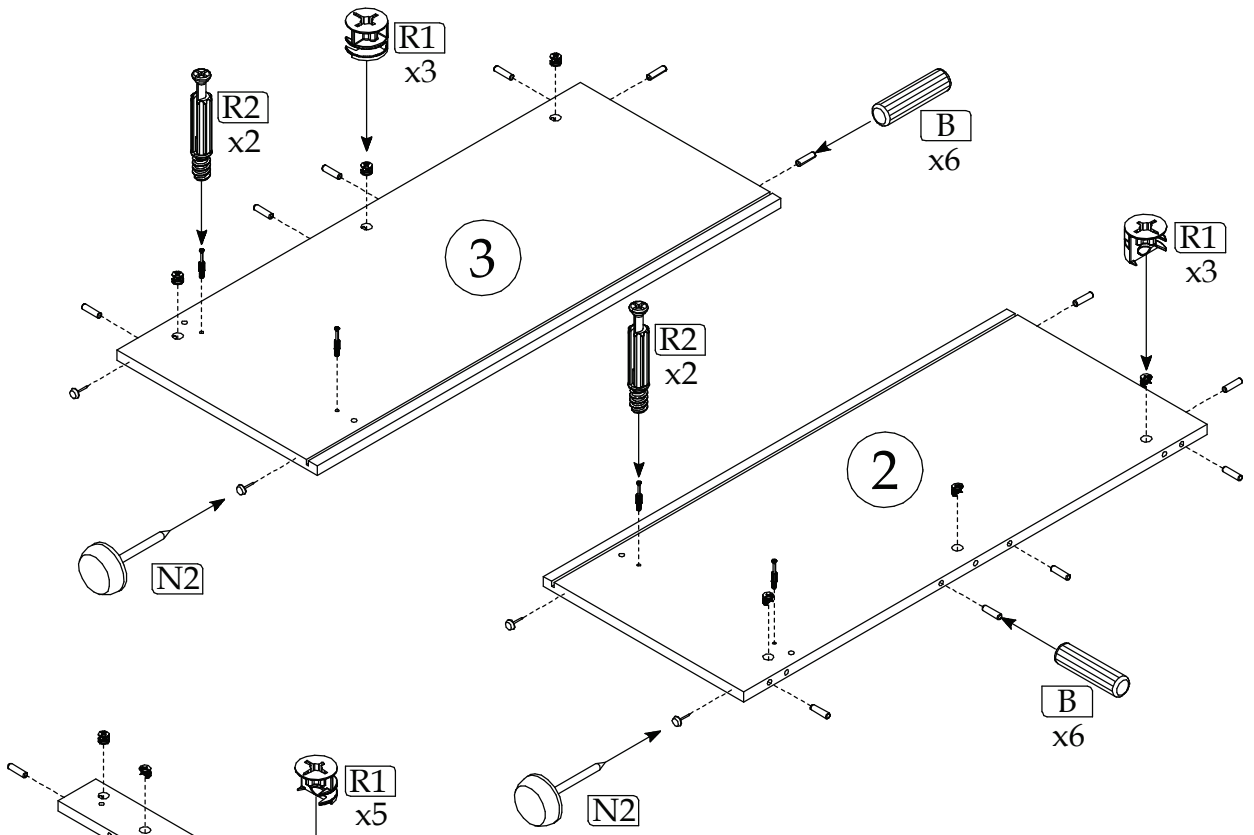




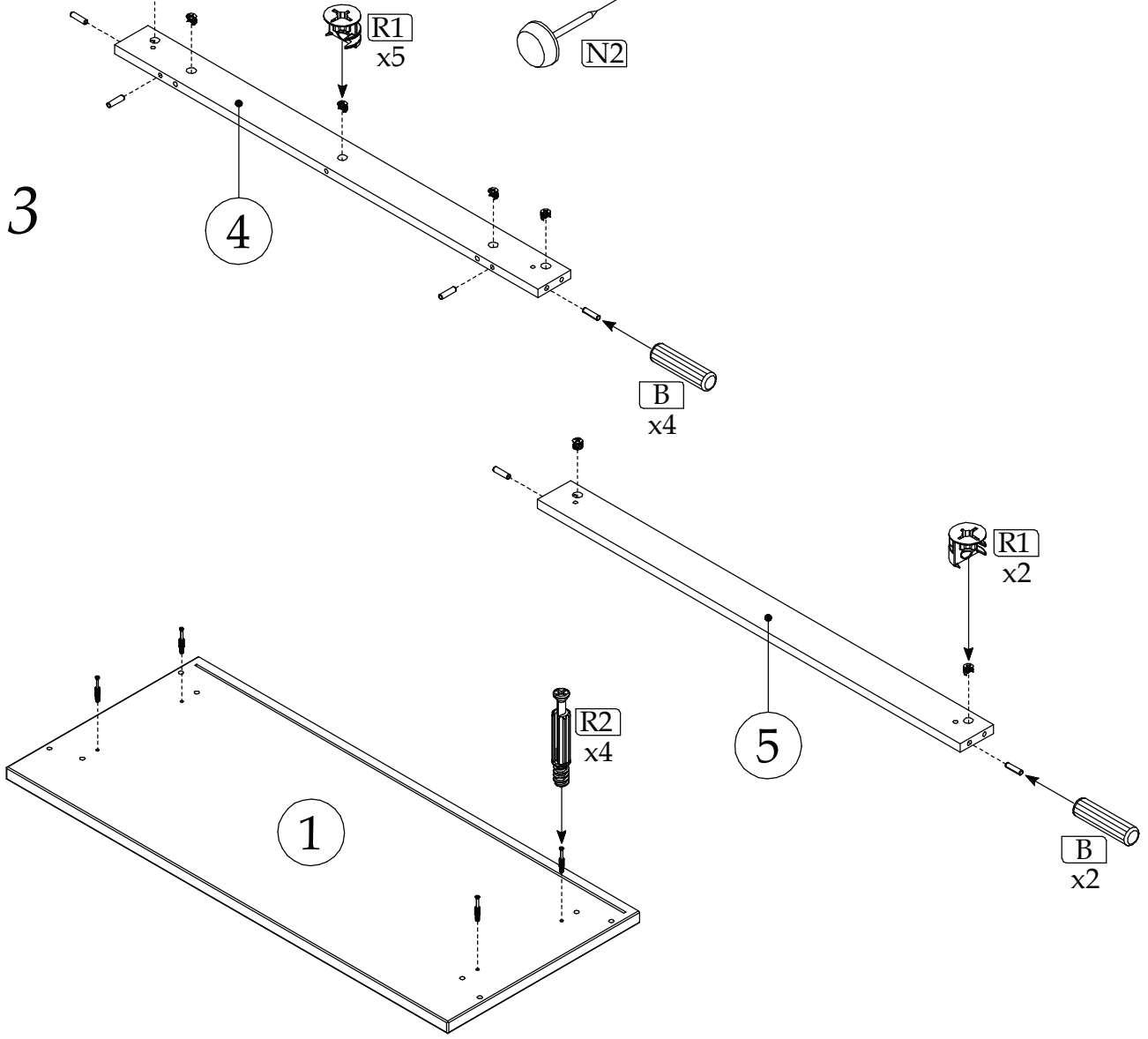
▶ 1



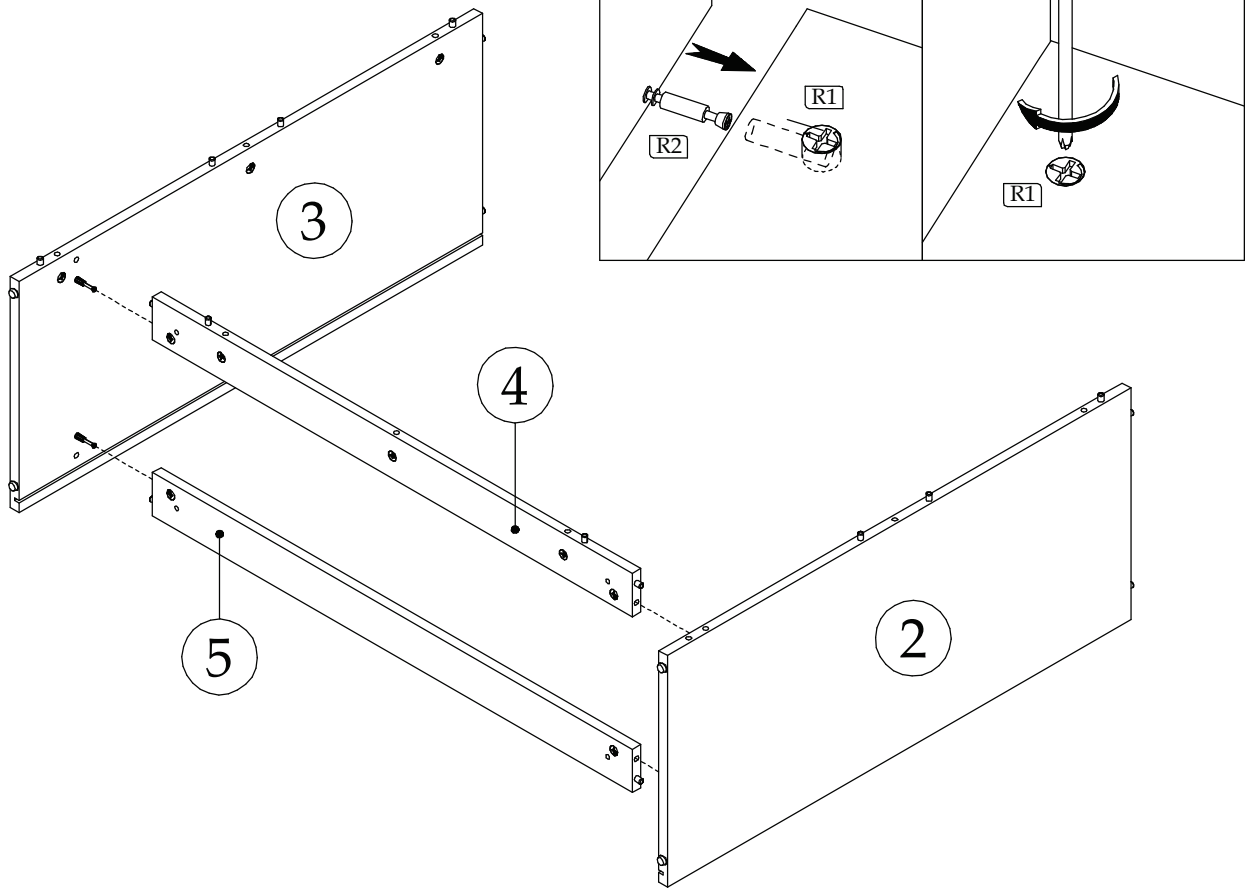
▶ 2



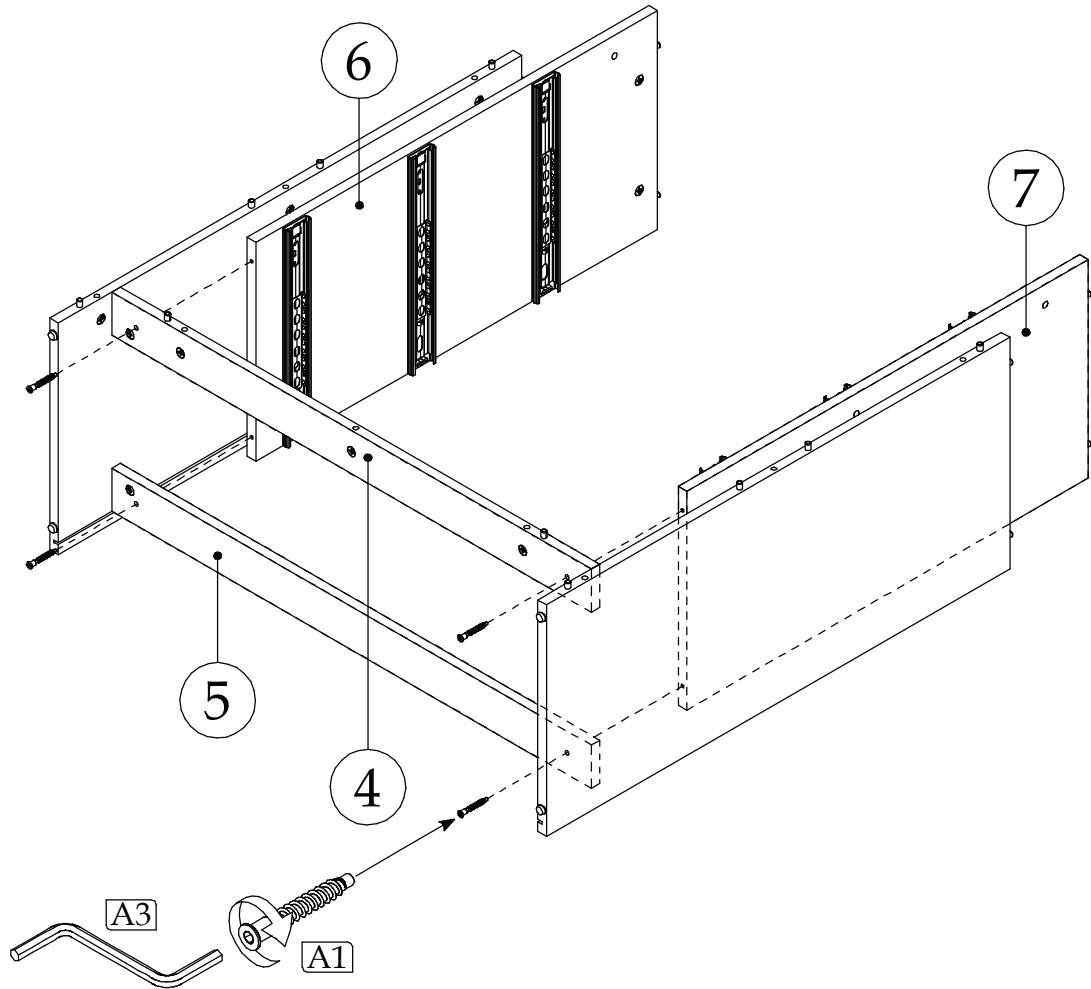
▶ 3



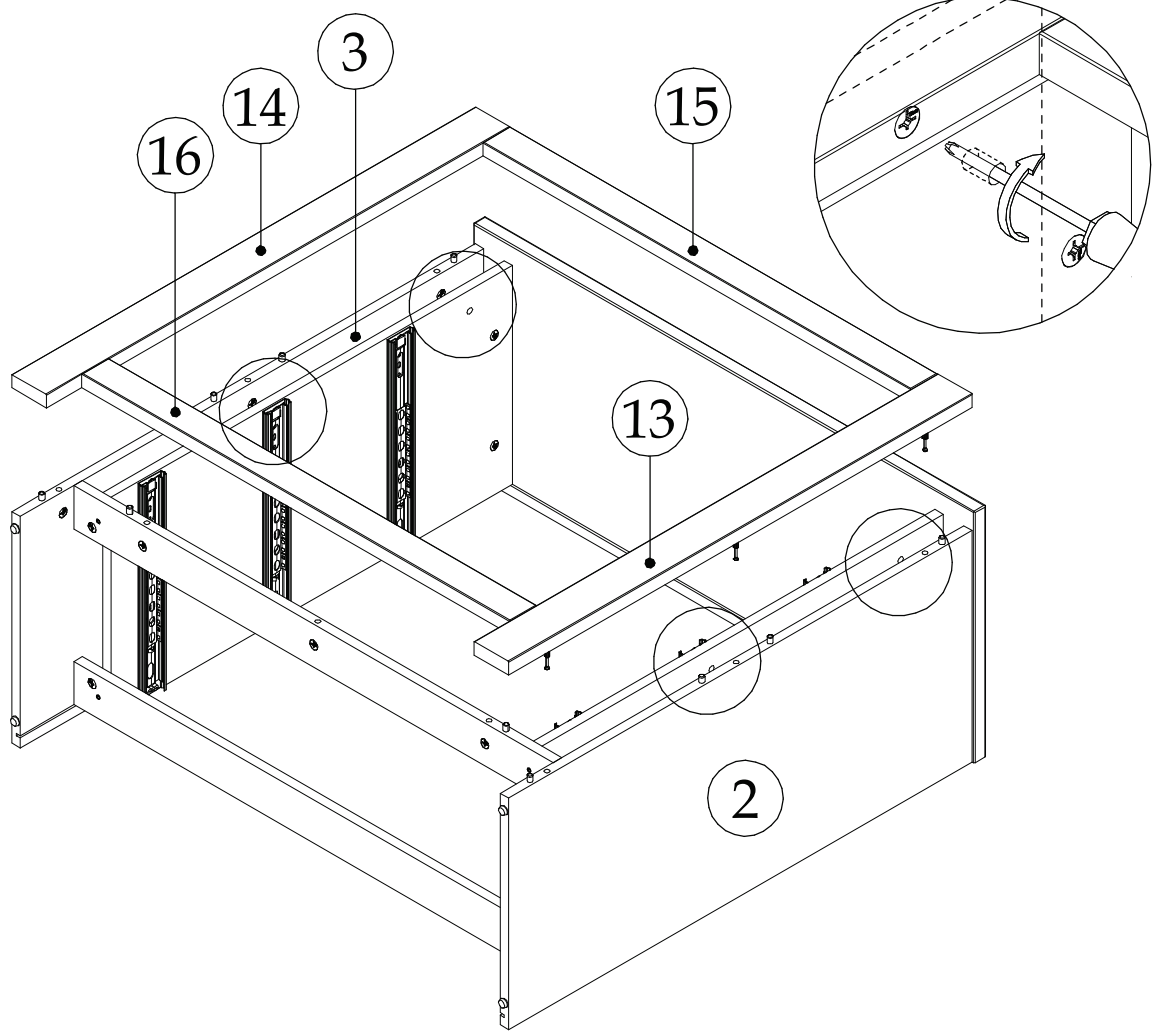
▶ 4



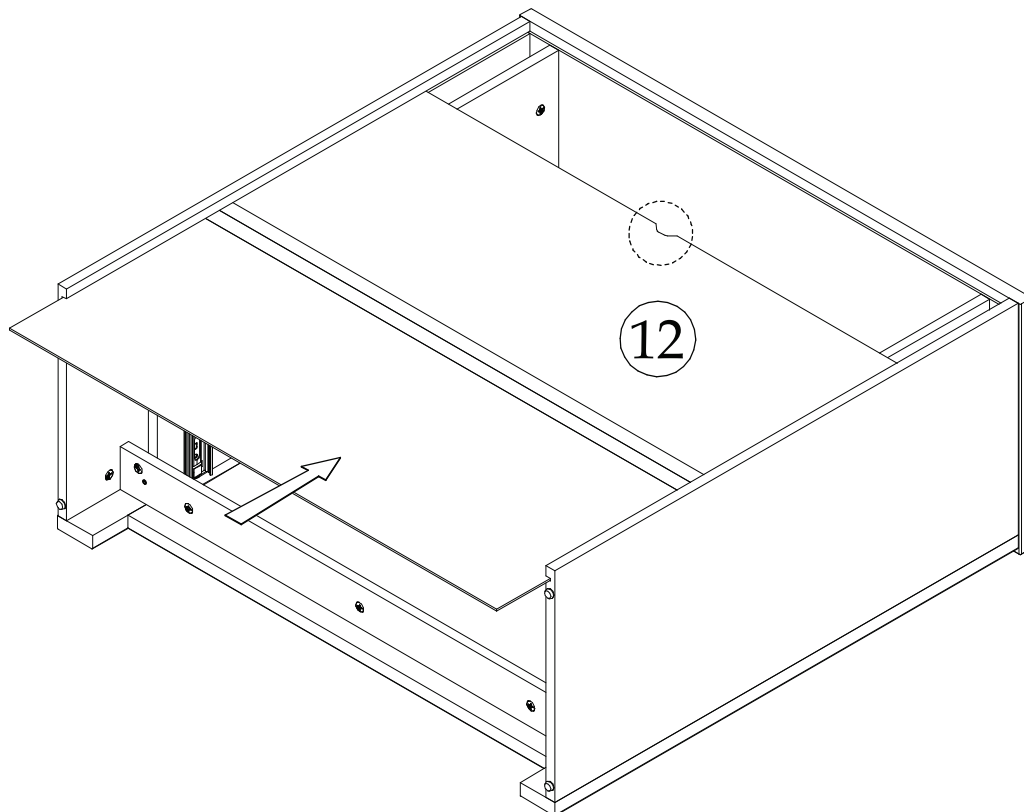
▶ 5



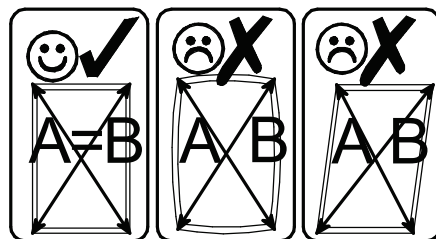
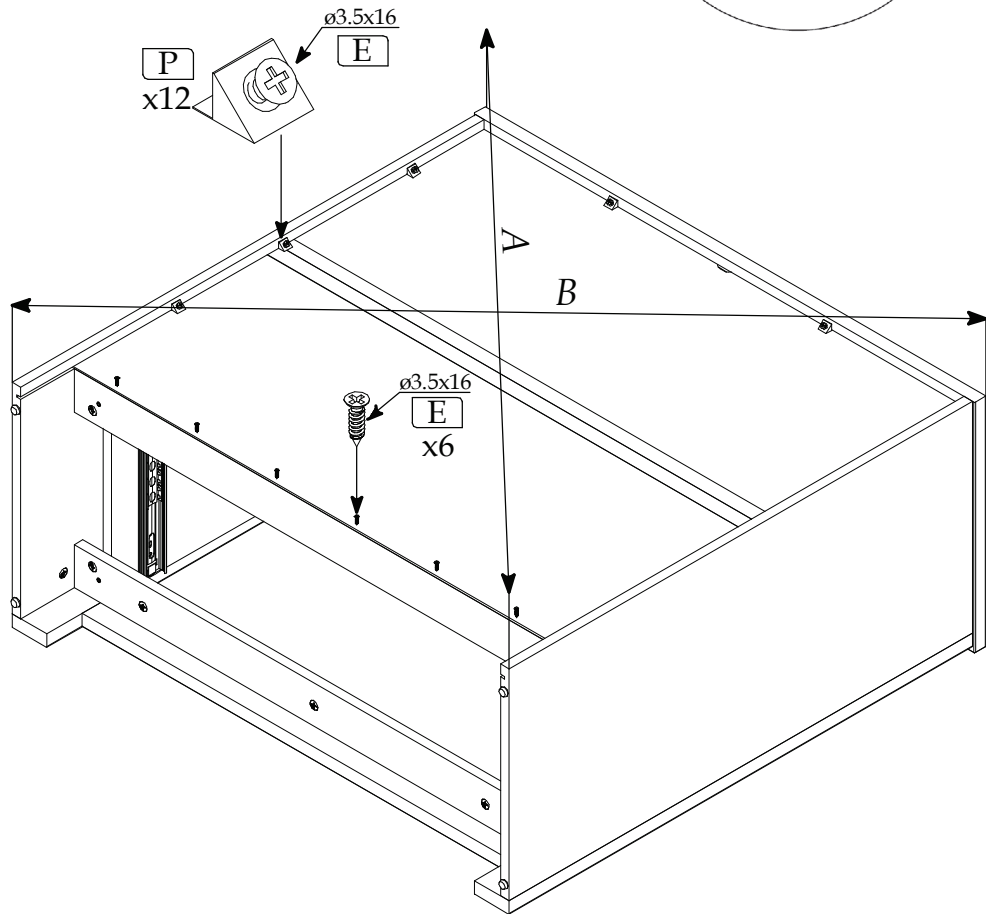
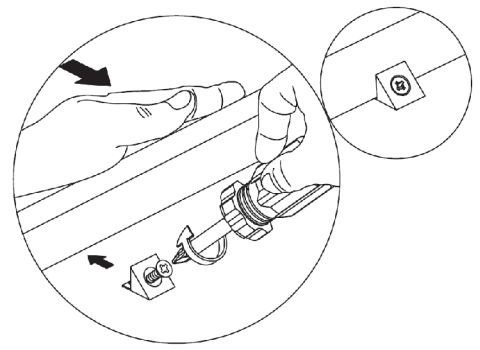
▶ 8



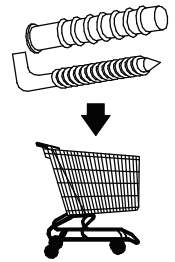
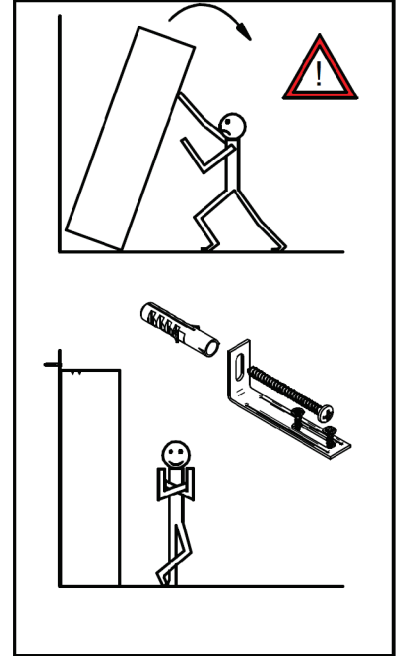
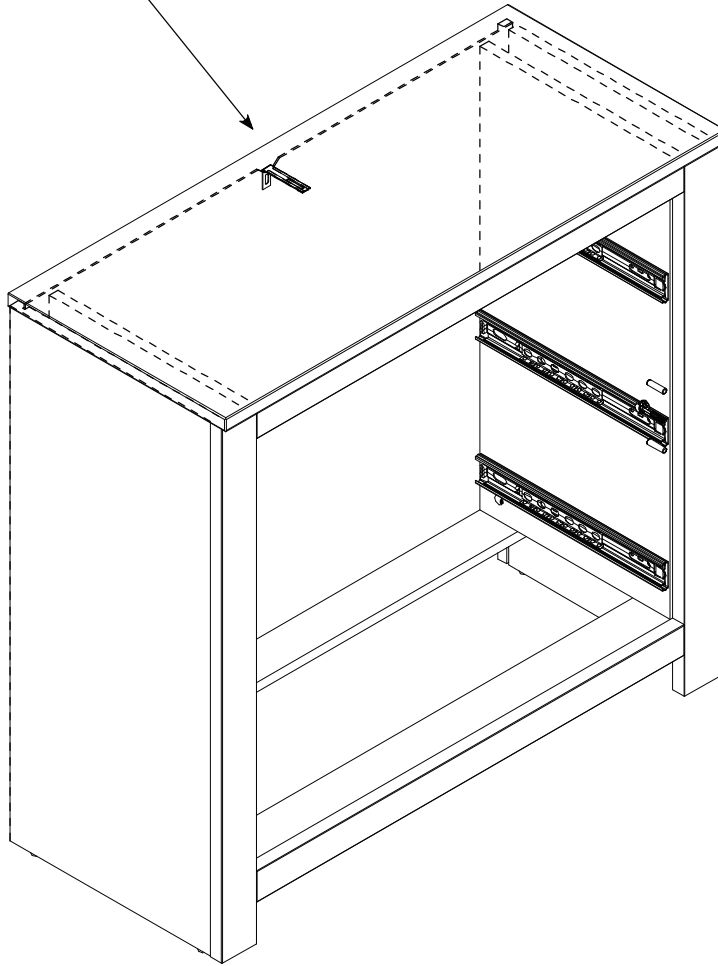
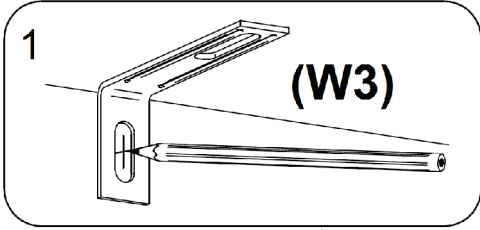
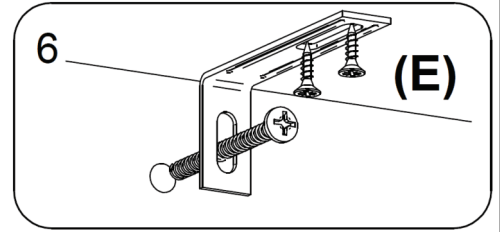
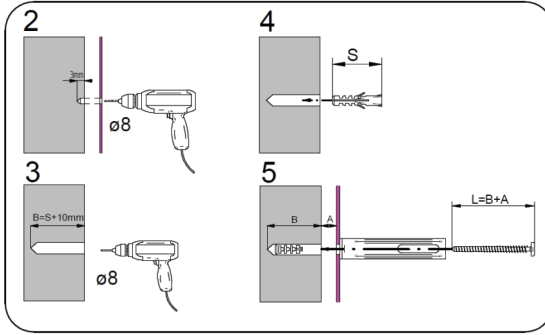
▶ 9



► 10



▶ 11



▶ 12

10

17

R2
x2

8

R1

10

R1

B

8

11

B

9

17

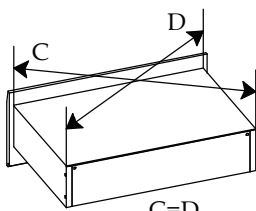
P

ø3.5x16

E

A1

A3



ø3.5x16

E

KN2

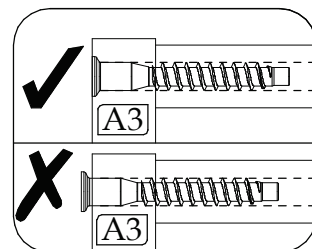
ø4x25

E3

M

KN2

x3



▶ 13

max
5 kg

max
20kg

